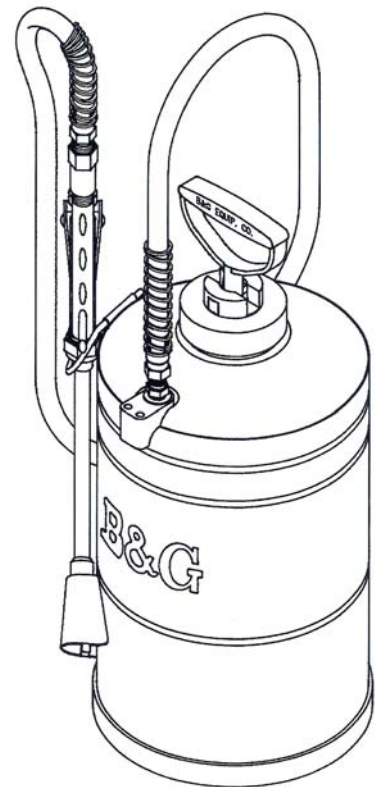




REPAIR AND MAINTENANCE MANUAL

**Professional
Pest Control Application
Equipment**

Prime Line Sprayers



**B&G Equipment Company
135 Region South Drive, Jackson, GA 30233
800.544.8811 Phone 678.688.5601 Fax 678.688.5633**

Rev 1/05

EXTENDA-BAN VALVE REPAIR AND MAINTENANCE

1. Detach the Valve and Extension from the hose.
Carefully remove the mesh strainer.
Squeeze the Trigger to drain all liquid from the Valve.
2. Remove the Trigger (1), then the Snap ring (5),
Safety lock nut (6), the Adjustment screw (4),
the Lock nut (3), and then the Packing nut (2).

The Trigger can be removed by moving it to the back of the Valve.

3. Unscrew the extension at the front of the valve.
The extension can be pulled away from the
valve along with the interior steel cable.

4. Packing washers (white) that were at the end of the
cable will remain inside the valve. Carefully dislodge
and remove these washers.

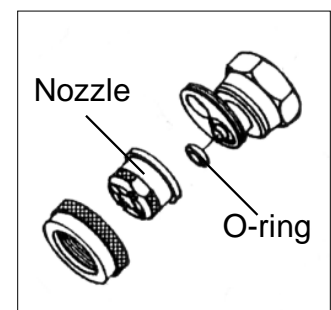
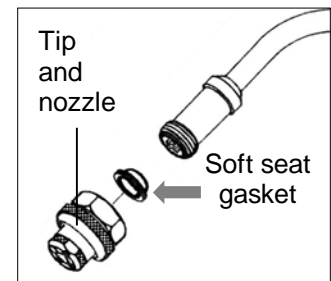
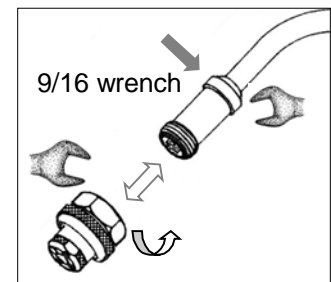
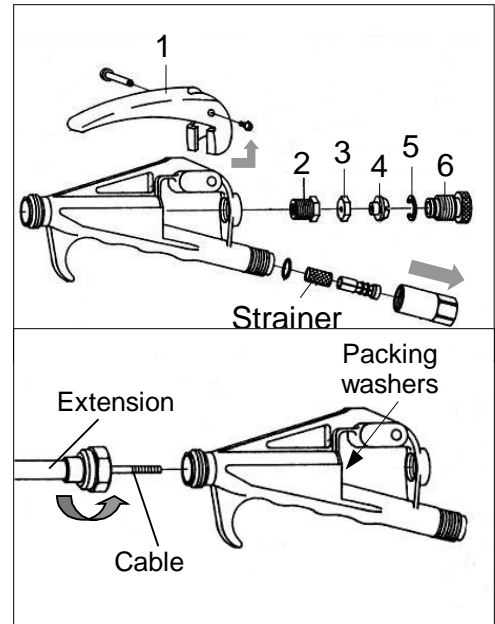
5. Remove the tip and nozzle assembly from the end
of the extension, be careful to keep the Soft seat
gasket.

Use 2 wrenches to loosen the tip: one (5/8 ") to
hold the extension, and a second to loosen the tip

Note: The extension may become twisted and unusable
unless 2 wrenches are used to remove the tip.

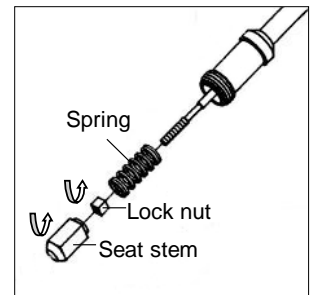
Inspect the soft seat gasket and the small O-ring
on Multeejet tips, replace if damaged or worn. Replace
the nozzle if it is more than old.

6. Push the cable out the front of the Extension to expose
the Spring, the small Lock nut, and the Seat stem.



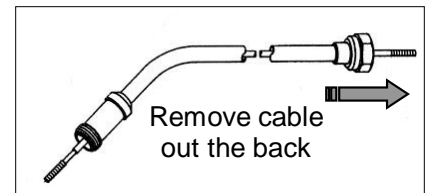
Rev 1/05

Unscrew the Seat stem and Lock nut, and slide off the Spring. Place these small pieces in a closed container (they are easily misplaced).



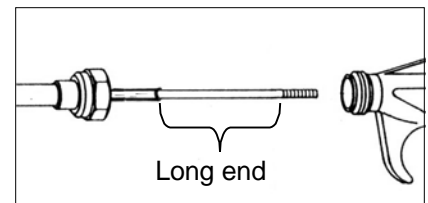
- Remove the stainless steel cable by pulling it slowly through the back end of the Extension – you cannot pull the cable through the front of the Extension.

The threaded end of the cable at the nozzle end is short and easily passes through the curve in the Extension. The end of the cable at the valve end is long and will not pass through the curve.



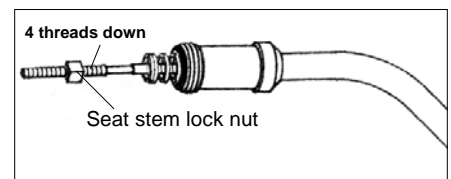
Replace the cable if it is worn or damaged.

- Re-assemble the Extension by inserting the short end of the cable into the back so that threads are exposed at the nozzle end.

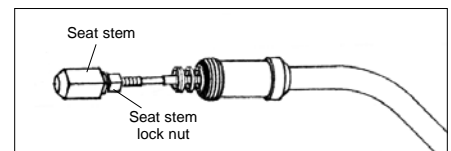


- Slide the Spring onto the end of the cable, then the Seat stem lock nut.

Screw lock nut only about 4 threads down, towards the end of the cable.

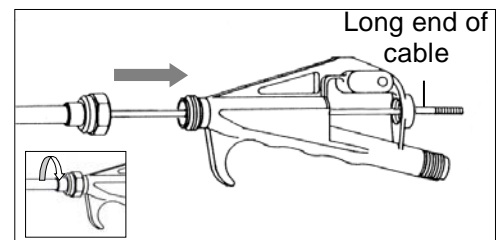


- Attach the Seat stem onto the cable, in front of the Lock nut. Hand tighten Seat stem against the lock nut.



- Insert the long end of the cable into the front end of the valve. Push the cable through the valve until the end is through the back of the valve.

Tighten the Extension to the valve body.



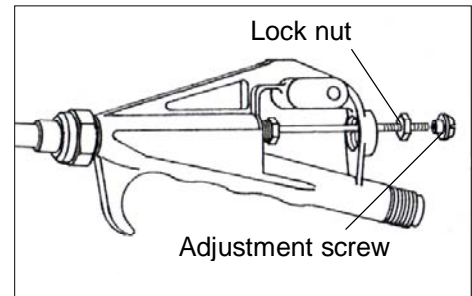
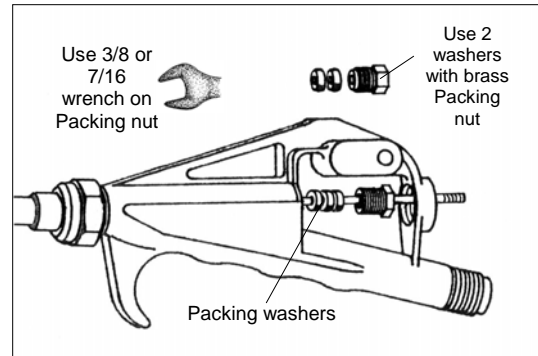
- Insert 2 or 3 Packing washers onto the cable, then slide on the Packing nut

behind the washers and tighten.

Valves built before 1999 have a stainless steel Packing nut that takes 3/8 wrench, there is no internal O-ring, these valves need 3 washers.

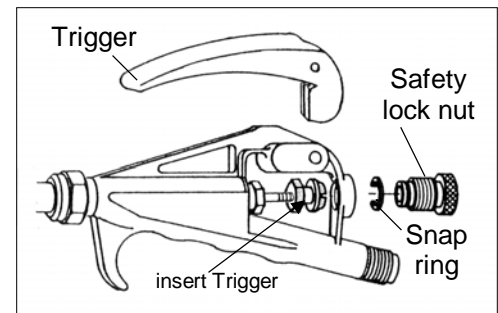
Valves built between 1999 and 2000 have a brass Packing nut + O-ring, this nut takes a 7/16 wrench, these valves need 2 washers.

Valves built after 2000 have a stainless steel Packing nut + O-ring, this nut takes a 3/8 wrench, and these valves require 2 washers.



13. Screw onto the cable the Lock nut and the Adjustment screw. Turn the Adjustment screw so the end of the cable is level to the top of the slot in the top of the screw. Tighten the Lock nut against the screw.

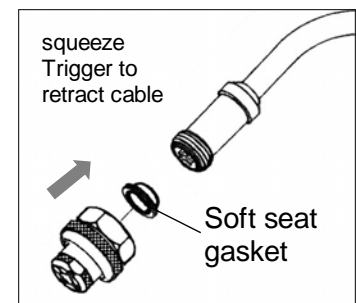
14. Attach the valve trigger by inserting it into the space between the Lock nut and Adjustment screw, then insert the Trigger screw.



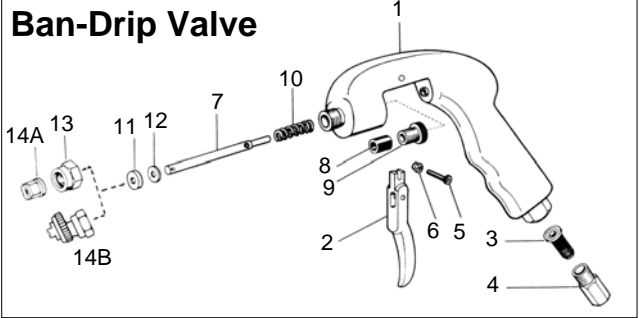
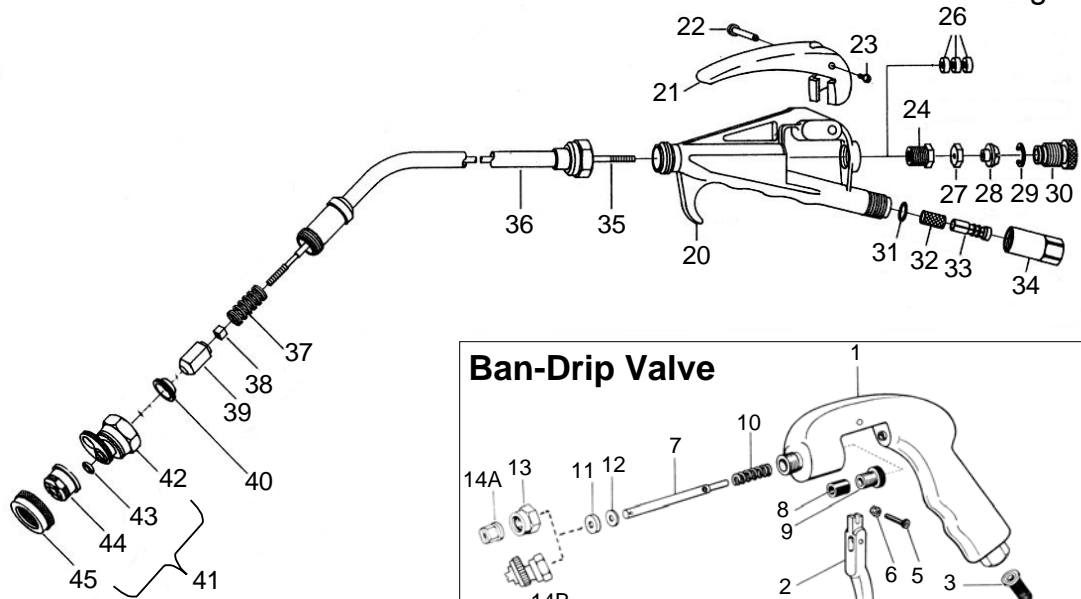
15. Screw the Safety lock nut into the valve body, and then attach the Snap ring.

16. Attach the tip and nozzle to the end of the Extension, make certain the Soft seat gasket is facing correctly. The small end faces the Extension.

Press the Trigger to retract the Seat stem into the Extension, then attach the tip and nozzle.



Extenda-Ban Valve



Extenda-Ban Valve

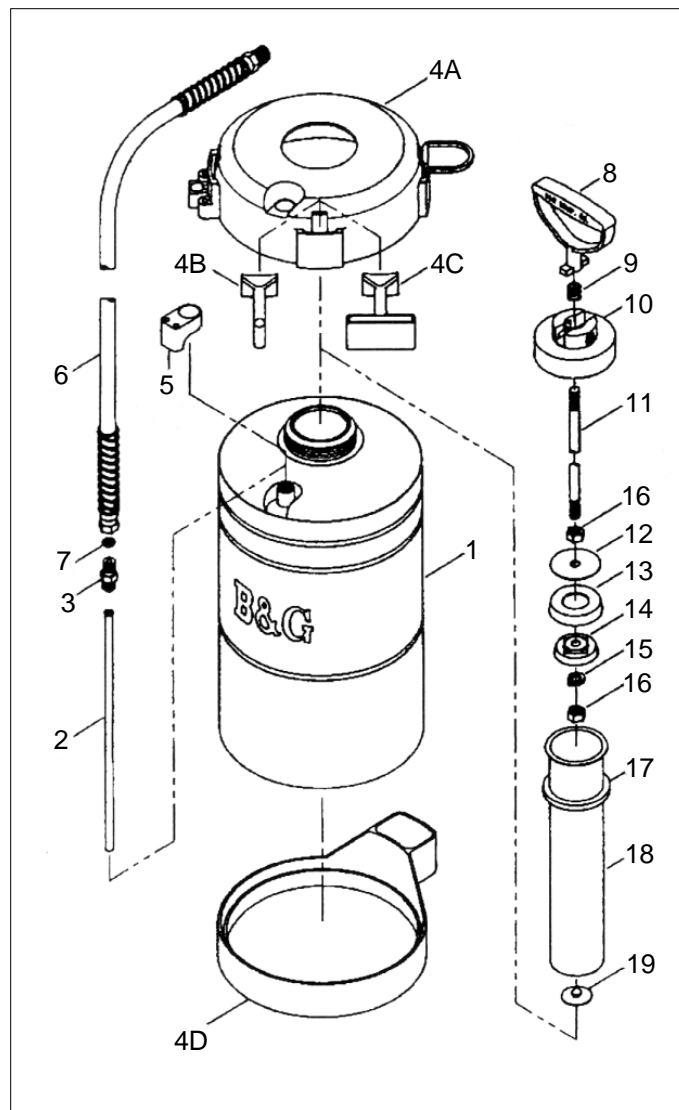
#	Part	Description	#	Part	Description
20	VB-147	Valve body	36	VE-154	Valve extension, 9 in.
21	VT-140	Valve trigger		VE-155	Valve extension, 18 in.
22	SH-142	Screw housing		VE-164	Valve extension, 24 in.
23	TS-141	Trigger screw	37	VS-156	Seat stem spring
24	PN-150	Packing nut (brass)			
	PN-150-1	Packing nut (stainless steel)			
	PN-150-2	Packing nut (stainless steel)			
26	VP-151	Valve packing washers			
27	LN-149	Lock nut			
28	AS-148	Adjust. screw			
29	SR-161	Snap ring	38	SSL-157	Seat stem nut
30	SL-162	Safety lock nut	39	SS-158	Seat stem
34	SA-143	Strainer housing	40	SP-159	Soft seat gasket
31	NG-146	Nylon gasket	41	5850-CC	Multiteejet tip assembly
32	MS-145-50	Mesh strainer	42	9751-M	Multiteejet tip holder
33	SS-144	Strainer support	43	4190	Viton gasket
35	VC-152	Valve cable, 9 in.	44	5800-CC	Multiteejet CC tip
	VC-153	Valve cable, 18 in.	45	4596	Tip retainer
	VC-163	Valve cable, 24 in.			

Rev 1/05

Ban-Drip Valve

#	Part	Description	#	Part	Description
1	VB-40	Valve body	8	PN-47	Brass packing nut
2	VT-41	Valve trigger	9	RP-48	Rod packing
3	SA-42	Mesh strainer	10	RS-49	Rod spring
4	SB-43	Pipe thread strainer	11	SGH-50	Seat gasket holder
5	TS-44	Trigger screw	12	TSG-51	Seat gasket
6	TN-45	Trigger nut	13	TC-52	Tip cap
7	VR-46	Valve rod and pin	14A	800067	Fine fan tip
			14B	5850	Multiteejet tip assembly

Rev 1/05



Stainless Steel Sprayer

<u>#</u>	<u>Part</u>	<u>Description</u>			
1	T-50	Tank, ½ gallon	8	P-275	Pump handle
	T-100	Tank, 1 gallon	9	P-276	Pump lock spring
	T-200	Tank, 2 gallon	10	P-274	Pump cap
	T-300	Tank, 3 gallon	11	PH-273	Plunger rod, ½ gal.
	T-500	Tank, 5 liter		PO-273	Plunger rod, 1 gal.
2	HS-297	Siphon tube, ½ gal.		PF-265	Plunger rod, 2 gal., 5 L
	OS-297	Siphon tube, 1 gal.		PT-265	Plunger rod, 3 gal.
	TS-297	Siphon tube, 2 gal.	12	P-272	Back plate
	THS-297-01	Siphon tube, 3 gal.	13	NP-277	Polypropylene cup
	FS-297	Siphon tube, 5 liter	14	NP-270	Cup spreader plate
3	HA-298	Adapter, hose	15	P-269A	Lock washer
4A	TT-1	Tank top (1 gal.)	16	P-269-SS	Plunger nut
4B	HK-1	J hook	17	P-268	Pump gasket
4C	TH-1	Tool hook	18	PH-267	Pump tube, ½ gal.
4D	TB-1	Tank bottom		PO-267	Pump tube, 1 gal.
5	5700-H	Tip holder		PF-267	Pump tube, 2 gal.
6	D-50	Hose, 4 ft. red		PT-267	Pump tube, 3 gal.
7	D-51-P	Hose washer	19	PV-266	Check valve

TANK SPRAYER PROBLEMS AND SOLUTIONS

P. Tank is not holding pressure; pump is working but no pressure remains in the tank.

S. Check Pump gasket, replace if cracked.

P. Tank is not getting pressure; the pump seems to be working but no pressure builds in the tank.

S. Grease Plastic cup in pump tube, or replace cup and Spreader Plate.

P. Pump cylinder fills with liquid, pumping is difficult.

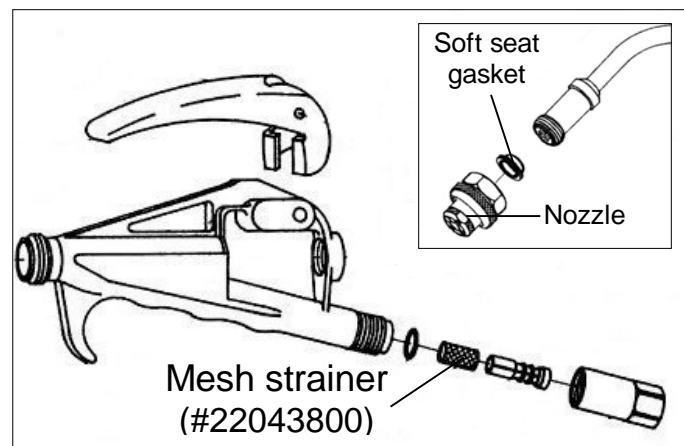
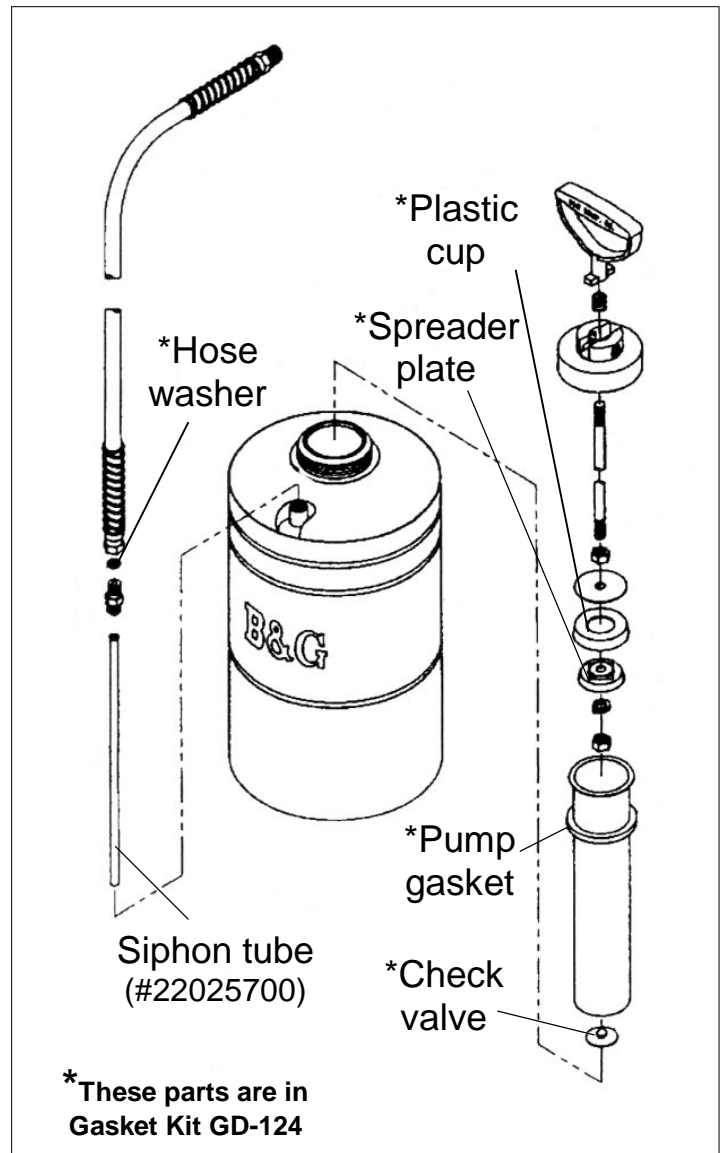
S. Clean dirt from bottom of pump tube, replace Check valve at bottom.

P. Won't spray; tank holds pressure but there is no spray from the nozzle, a new sprayer.

S. Replace Hose washer, it may have been damaged when hose was attached to tank; the junction may have been over-tightened!

P. Tank holds pressure, but there is no spray from nozzle (old sprayer).

- S.** (1) Siphon tube is clogged or cracked, it must be cleaned or replaced.
- (2) Clean the mesh Strainer at the end of the hose near the valve.
- (3) Clean the nozzle with a toothbrush.
- (4) Clean or replace Soft seat gasket at end of the extension.



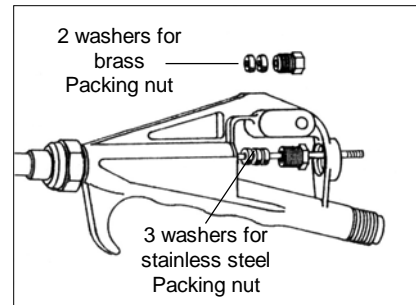
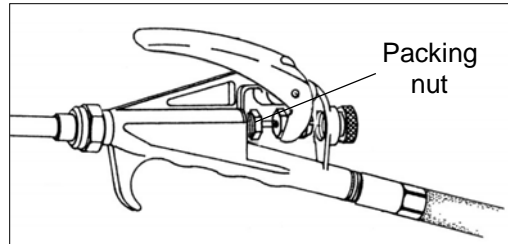
TANK SPRAYER PROBLEMS AND SOLUTIONS (Page 2)

P. Valve is leaking around the Packing nut, and the handle is wet.

- S.** (1) Tighten the Packing nut.
(2) Replace the valve Packing washers.

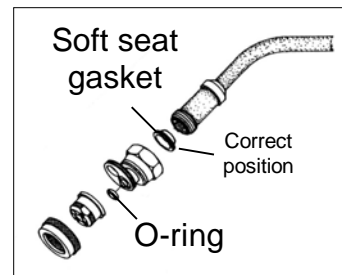
2 washers with brass Packing nut

3 washers with stainless steel Packing nut



P. Extension is leaking at the tip, a constant drip from the tip.

- S.** (1) Clean or replace nozzle O-ring.
(2) Clean end of Seat stem.
(3) Clean or replace Soft seat gasket.
(4) Replace the Valve spring.



P. Hose is leaking at the connection with the tank; leaks when tank is pressurized.

- S.** Replace the Hose washer at the end of the hose; do not over-tighten the connection when reconnecting the hose to the tank.

