

Portable Aerosol System – User’s Manual

SAFETY PRECAUTIONS

- Do not attempt to connect this unit to any external air or gas source. Only use with supplied compressor.
- Do not pressurize an empty tank.
- Open tank cap slowly before removing.
- Do not transport while the tank is under pressure
- Do not treat voids with electrical outlets or cables.
- Always use a grounded (3 terminal) extension cord.

BEFORE STARTING

- Secure all quick-connect hose connections.
- Lever on the gun must be in the OFF position
- Tighten cap on the tank until snug.

OPERATING INSTRUCTIONS

Filling and Mixing

- To ensure adequate air pressure (head space) in the tank, only add 1/2 gallon of liquid to tank.
- Make sure unit is in the off position (switch on compressor) and unit is unplugged from wall connection.
- Unplug air connection and removed tank from case for filling.
- Return tank to carry case, align guides at bottom of tank.
- Mix all insecticides according to label directions.



Pressurizing Tank

- Connect unit to wall outlet with grounded electric cord.
- Start compressor by depressing the on/off switch on top.
- Compressor maintains pressure in the tank, it cycles on and off during normal use.



Operation: Air, Liquid, Air + Liquid (Fogging)

- Lever ON= Air only delivery
- Lever OFF, gun trigger depressed = Liquid only
- Lever ON, gun trigger depressed = Aerosol fogging



135 Region South Drive,
Jackson, GA 30233
678.688.5601

Very Important: Between liquid or air applications, move lever on valve to the off position. This will shut off the air supply to the gun and cause the compressor unit to shut off. When turned back on, the compressor unit will automatically restart. If continual air supply is required and valve is not turned off, leave cover open on case to insure proper ventilation.

Adjustment of liquid application. You may adjust your liquid application rate by adjusting the regulator found in the case. By turning the regulator either clockwise or counterclockwise you can adjust your spray from a very fine ULV fog to a heavy mist depending on what type of application is required.



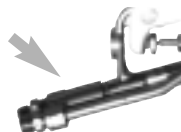
Removal of Aerosol Unit from Case for Spot Applications. Your PAS unit may be removed from the carry case for use in spot applications. Total spraying times will vary and can last up to 30 seconds of total spray time if valve on gun is turned off between applications. (Hint) If you would like to extend this spray time, just fill you tank approx 1/4 full with liquid. This will allow for more air space in the tank.

This delivery system can be used to apply:

- » Air only to flush insects from infested harborages
- » Liquid only as a crack-and-crevice application
- » Air + Liquid produces aerosol for void and space spraying

CARE AND MAINTENANCE

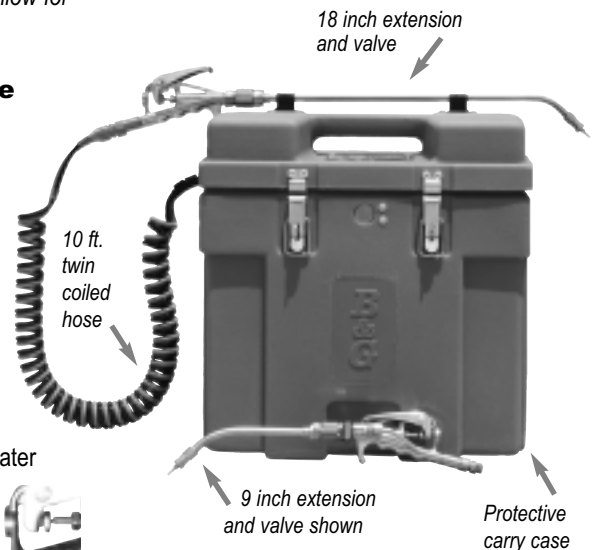
- Flush tank and extension with clean water
- Inspect hoses for wear
- Clean filter on liquid inlet of your gun on occasion
- Protect application tip when not in use.
- Store coiled hose in case when unit is not in use.



WARNING: Do not attempt to remove the extension of spray tip for any reason. If you are having any problems, please call B&G at 800.544.8811

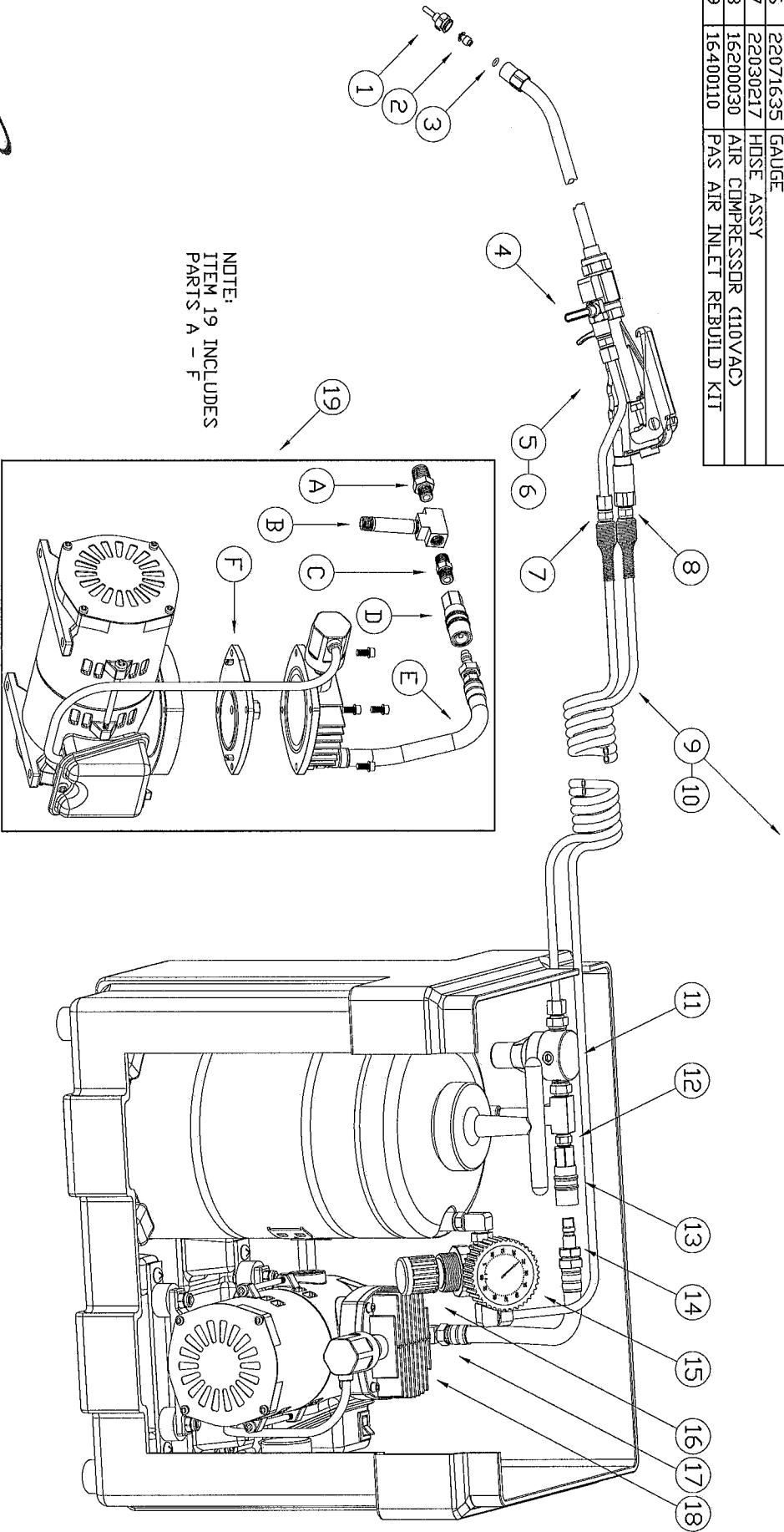
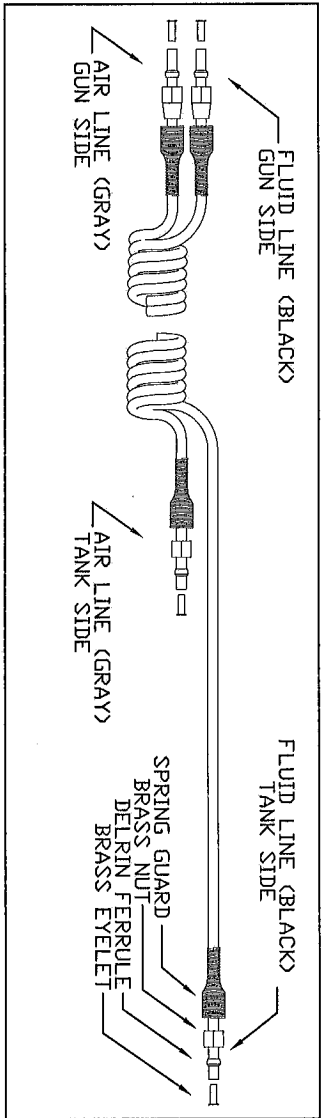
SYMPTOMS	SOLUTIONS
Tank not holding pressure	» Tighten tank cap
Tank not getting pressure	» Inspect compressor hose » Inspect on/off switch of compressor » Inspect electrical outlet and power cord » Replace compressor
Sprays only air, no liquid or aerosol	» Tank is empty, add liquid insecticide » Turn lever on gun to 'ON' position » Make sure filter on gun is clean

NOTE: On the 16290000 with 9 inch extension, the gun and extension is stored inside the case.

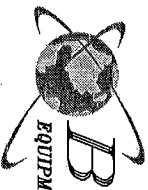


HAVING PROBLEMS?
Call our toll free help line at
800.544.8811

ITEM NUMBER	DESCRIPTION
1	AIR GAP NOZZLE
2	FLUID CAP INTERNAL MIX NOZZLE
3	FLUID CAP INTERNAL MIX NOZZLE
4	FLUID CAP INTERNAL MIX NOZZLE
5	FLUID CAP INTERNAL MIX NOZZLE
6	FLUID CAP INTERNAL MIX NOZZLE
7	FLUID CAP INTERNAL MIX NOZZLE
8	FLUID CAP INTERNAL MIX NOZZLE
9	FLUID CAP INTERNAL MIX NOZZLE
10	FLUID CAP INTERNAL MIX NOZZLE
11	FLUID CAP INTERNAL MIX NOZZLE
12	FLUID CAP INTERNAL MIX NOZZLE
13	FLUID CAP INTERNAL MIX NOZZLE
14	FLUID CAP INTERNAL MIX NOZZLE
15	FLUID CAP INTERNAL MIX NOZZLE
16	FLUID CAP INTERNAL MIX NOZZLE
17	FLUID CAP INTERNAL MIX NOZZLE
18	FLUID CAP INTERNAL MIX NOZZLE
19	FLUID CAP INTERNAL MIX NOZZLE



NOTE:
ITEM 19 INCLUDES
PARTS A - F



B & G EQUIPMENT COMPANY
135 Region South Drive, Jackson GA 30233
678 688-5601 www.bgequip.com

DR. SKIP SMITH
DATE: 07-24-12