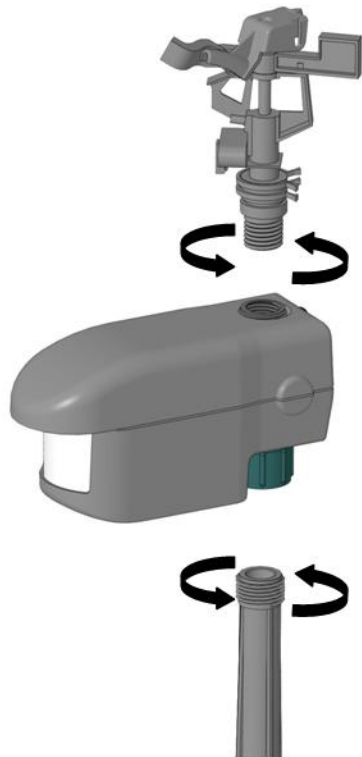


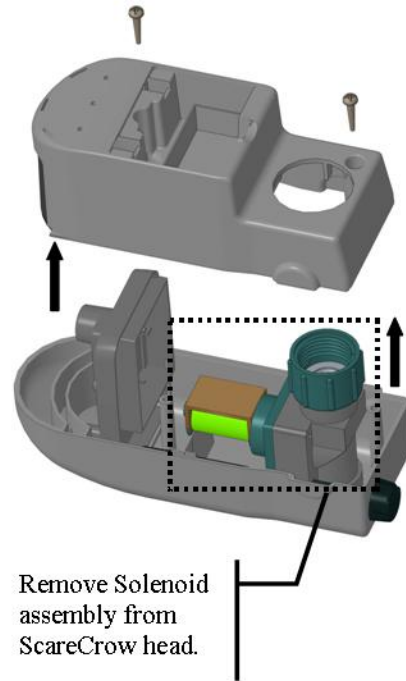
ScareCrow Cleaning Instructions

Step 1



Remove Sprinkler Head and Stake. (Unscrew by turning counter-clockwise).

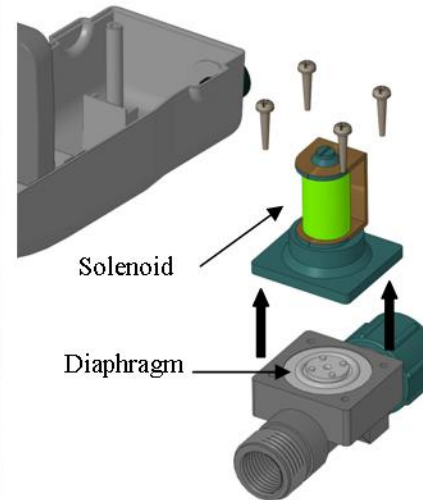
Step 2



Remove Solenoid assembly from ScareCrow head.

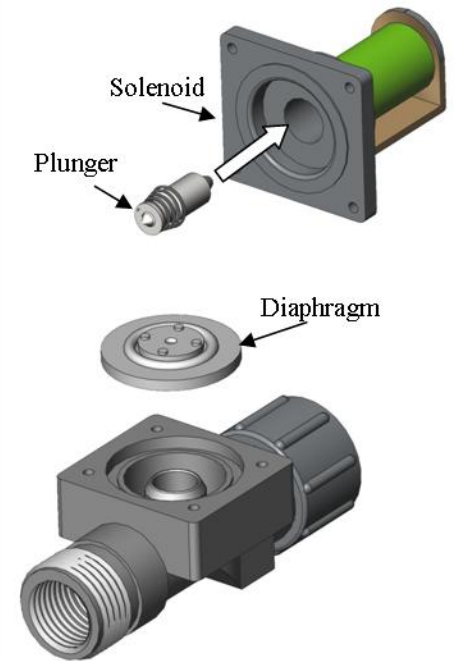
Turn the ScareCrow head upside-down. Open the Scarecrow unit by removing the two Phillips head screws. Open gently. Remove the solenoid from the ScareCrow's head.

Step 3



Disassemble the solenoid valve by removing the 4 Phillips head screws. Remove diaphragm and inspect for dirt or damage, clean if needed. If metal disc has tore through the diaphragm, contact us for a replacement at no charge.

Step 4



Remove the plunger from the solenoid. Remove the diaphragm. Remove any debris or hard water build up from plunger and inside of solenoid using a brush and vinegar. Ensure spring is in good condition. Reassemble.